

VISOFOLD 1000 Aluminium Bi-fold Doors

Please tick: Order Quote Doc Q compliant

YOUR CONTACT DETAILS

Company Name:

Address:

Postcode:

Tel: Fax:

Delivery Address:

Postcode:

SINGLE COLOUR

White Other
RAL No.:

DUAL COLOUR

Internal RAL No.: External RAL No.:

FRAME SIZES

Width (mm)

Height (mm)

Note: You must allow 10mm tolerance between frame and opening size

CILL Included in overall frame height (cill height is 25mm)

150mm 190mm

No Cill

HINGE COLOUR

White Black Colour Matched

D-HANDLE/ HINGE REQUIRED Yes No

HEAD PACKER

Included in height

MAGNETIC PANEL CATCH - Chrome Colour Matched

Date required:

Your ref/order No.:

OPENING CONFIGURATION

Inward Outward

DELIVERY OPTION

Fully assembled

Kit form

Glazed (full spec inc spacer bar colour)

Unglazed

BOTTOM TRACK DETAIL (see overleaf for details)

Standard outer frame 51.5mm

Low threshold 12mm (Satin anodised only & not weather rated)

175mm Integrated cill/threshold

DRAINAGE REQUIRED

Face Concealed

MAIN HANDLE COLOUR

White Black Chrome

Gold Matt Silver Brushed Silver

Colour Matched

SHOOTBOLT HANDLE COLOUR - Standard Flush

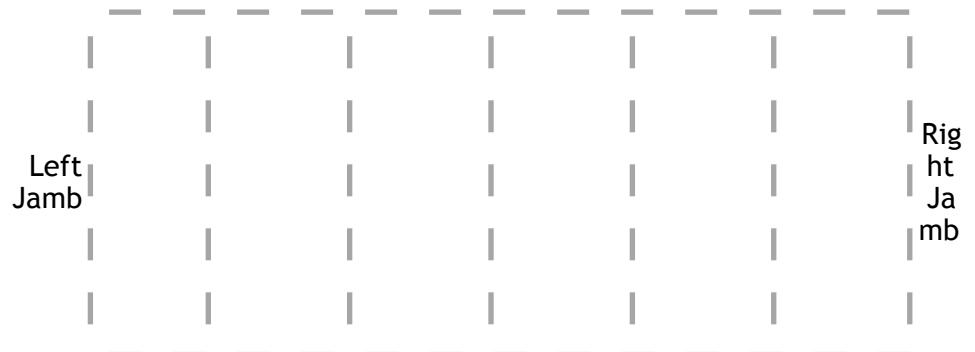
White Black Chrome

7016 Grey Brushed Silver Colour Matched

TRICKLE VENTS (in 42mm head packer) Yes

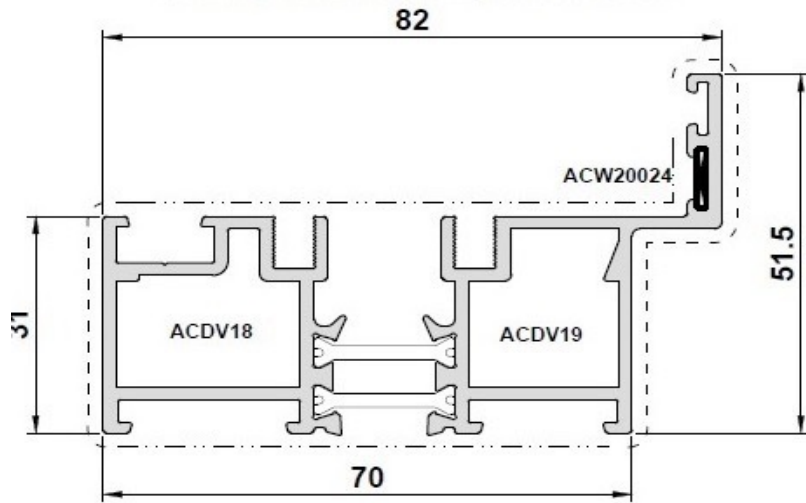
Clearly mark on the grid shown the configuration required. The elevation of the door is as viewed from the outside. Mark along the arrows the direction that each panel has to travel.

If you have 2 swing panels, indicate on this drawing which panel you would like to open first (with "FIRST")



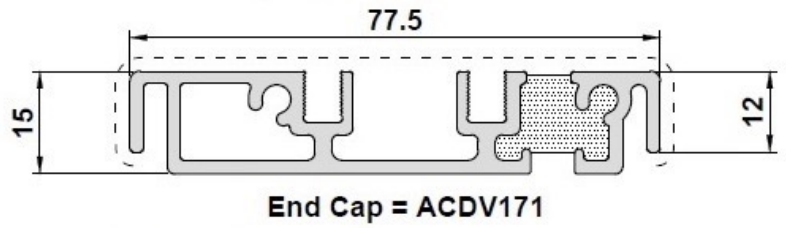
DV14

Standard Frame - Standard Threshold



DV171* / DV271*

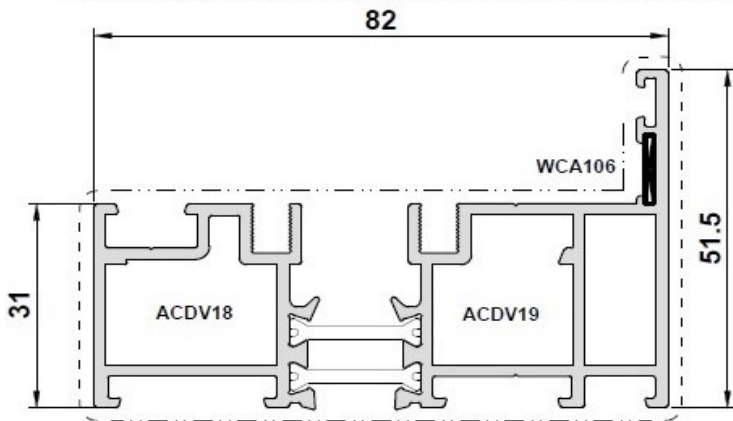
Low Threshold
Open In / Open Out



*DV171/*DV271 is non-rebated. Please use rebated threshold where enhanced weather performance is required.

DV17

Standard Frame to be used with DV176 cill threshold



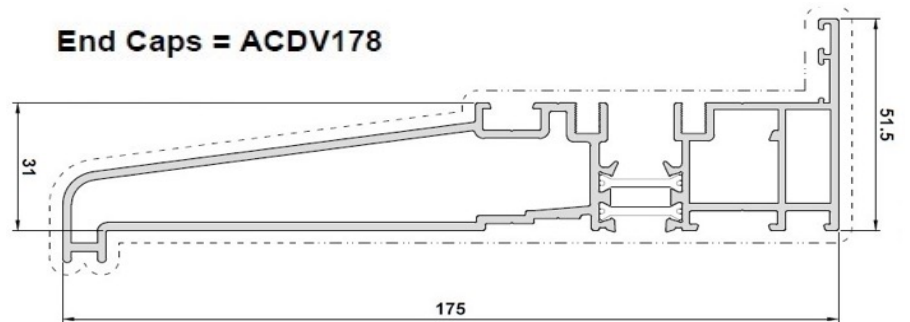
DV176

Cill Threshold

Use With DV17 ONLY

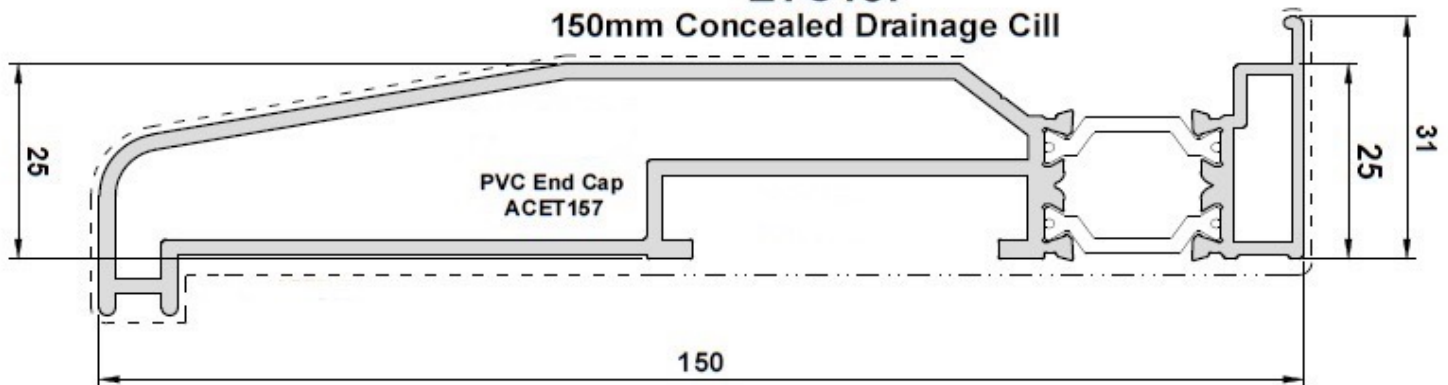
OPEN OUT ONLY

End Caps = ACDV178



ETC157

150mm Concealed Drainage Cill



ETC158

190mm Concealed Drainage Cill

